

# RH Series

Zero leakage screw connect couplers Pipeline Couplings Stucchi VR SERIES STAUFF RH/RK SERIES interchangeable

## Introduction

AKJia's RH Series screw connect couplers are designed for heavy-duty service conditions in applications including construction plant, high pressure pulse and agricultural machinery.

## Construction

- Carbon steel with trivalent plating
- Fitted with Nitrile seals (NBR)
- Option Carbon steel with zinc nickel plating (500 hours with no red rust in salt spray tests)

## Features

- Screw connect design eliminates brinelling
- Allows for minimal inclusion of air and contaminants during connection
- Flat face design prevents fluid loss during disconnection
- Bidirectional flow
- Can be connected with up to 50 bar residual pressure in the hydraulic circuit

## Application

- Hammer circuits
- High pressure pulse applications
- Construction plant, mobile equipment, demolition and agricultural industries

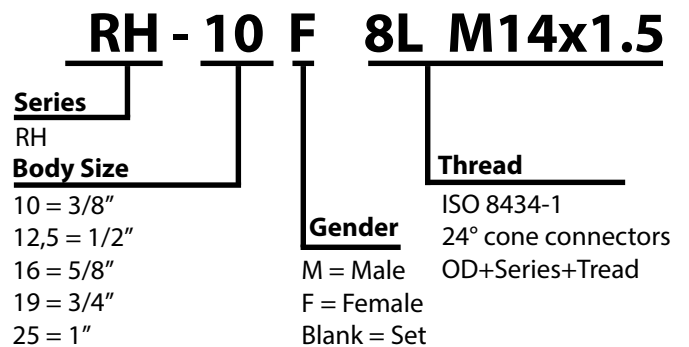


## Specifications

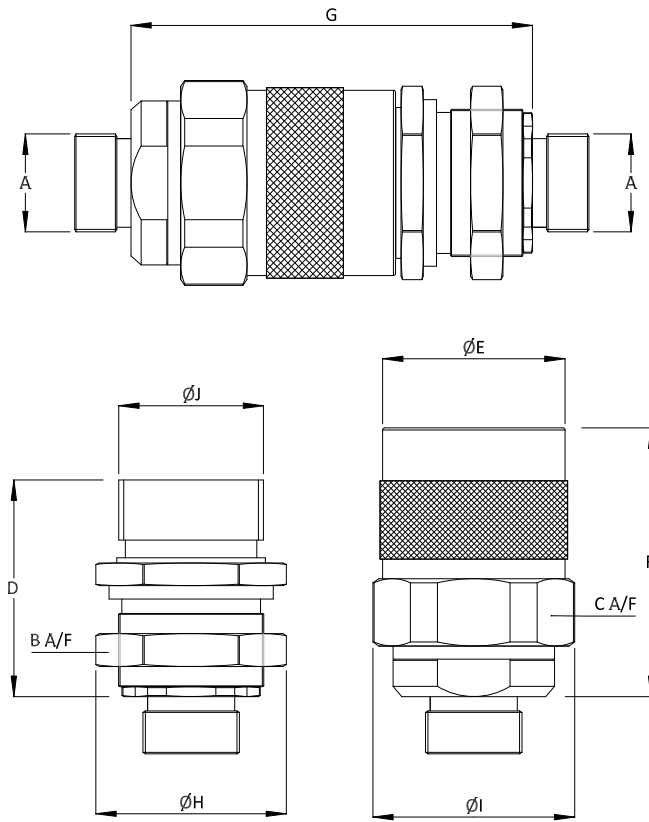
Seal Material	Min. Temp		Max. Temp	
Nitrile seals*	-40°C	-40°F	106°C	223°F



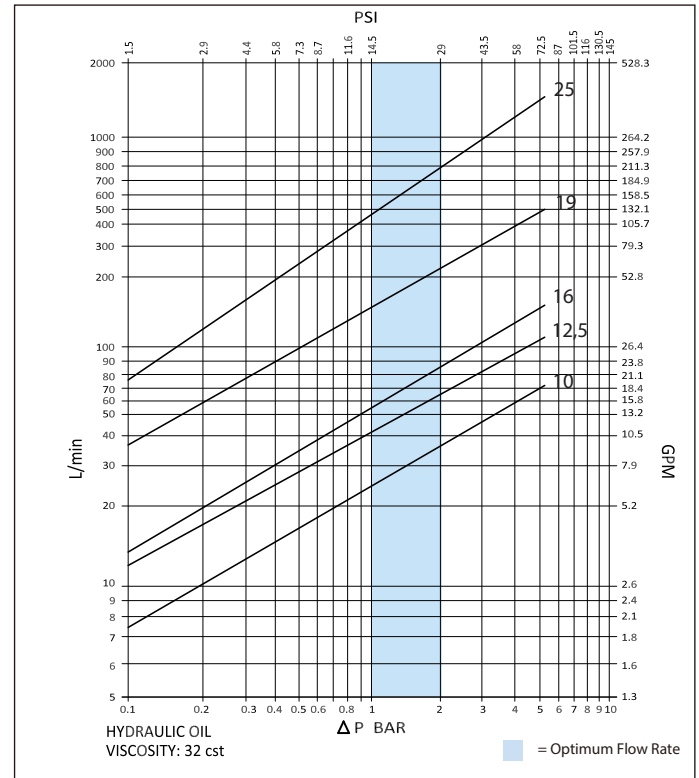
## Product Number Naming Rules



**Drawing**



**Pressure Drop Characteristics**



Size	Front End Thread Connection ØJ	B	C	D	ØE	F	Maximum Working Pressure	Burst Pressure (coupled)	Burst Pressure (Male)	Burst Pressure (Female)
							Dimensions in mm			
							bar			
							Dimensions in inches			
							psi			
RH-10	M32x3	36	36	44	39	50	420	1600	1600	1600
		1.4	1.4	1.7	1.5	2	6090	23200	23200	23200
RH-12,5	M36x3	41	46	53	45	66	420	1600	1260	1600
		1.6	1.8	2.1	1.8	2.6	6090	23200	18270	23200
RH-16	M48x3	50	60	55	59	55	420	1260	1260	1260
		2	2.4	2.2	2.3	2.2	6090	18270	18270	18270
RH-19	M54x4	46	55	78	64	91	350	1000	1200	1000
		1.8	2.2	3.1	2.5	3.6	5075	14500	17400	14500
RH-25	M79x4	55	80	106	90	120	420	1150	900	1100
		2.2	3.1	4.2	3.5	4.7	6090	16675	13050	15950